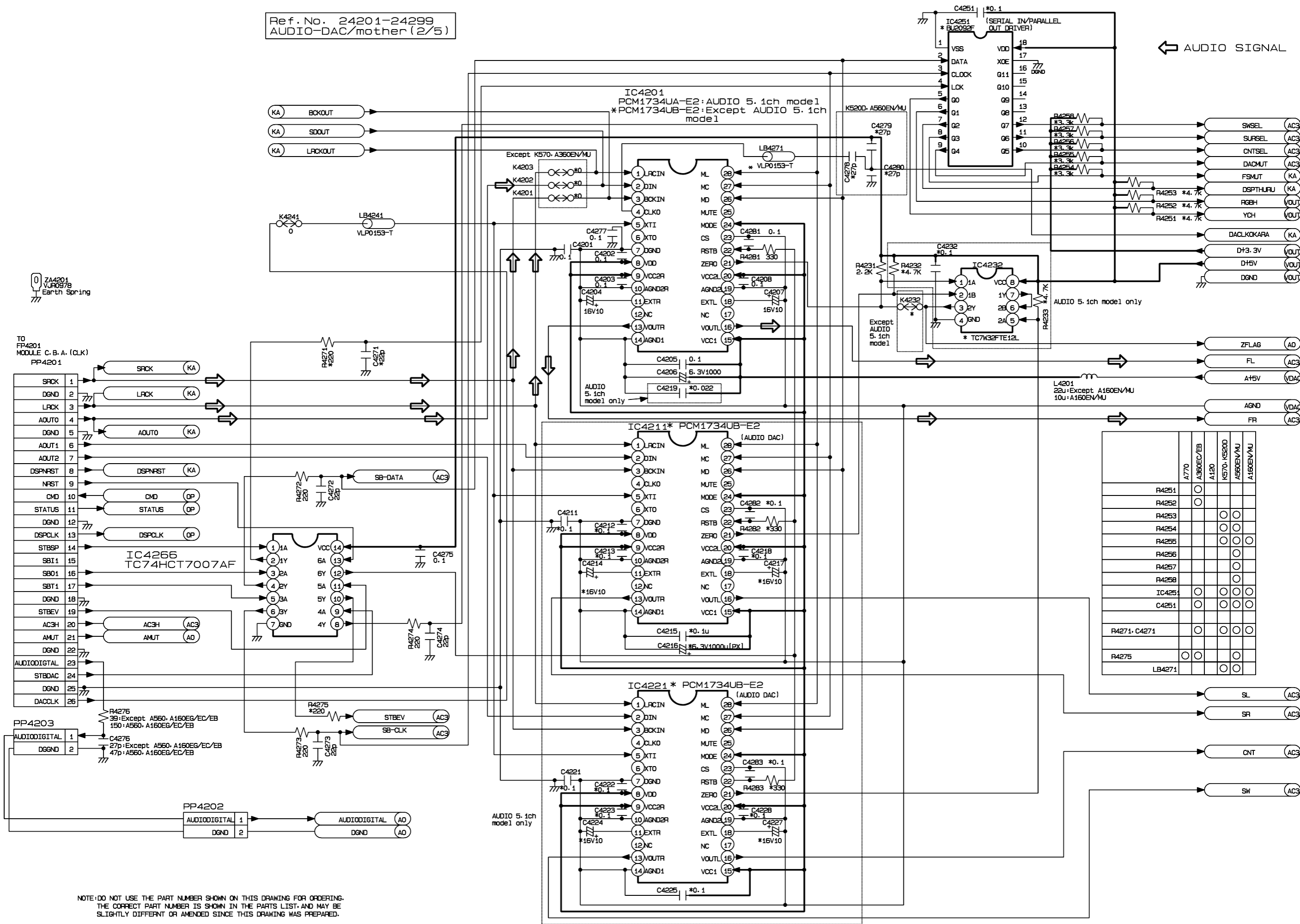


Ref. No. 24201-24299
 AUDIO-DAC/mother (2/5)



	A770	A350EC/EB	A120	K570: K520D	A550EN/MU	A150EN/MU
R4251						
R4252						
R4253						
R4254						
R4255						
R4256						
R4257						
R4258						
IC4251						
C4251						
R4271, C4271						
R4275						
LB4271						

NOTE: DO NOT USE THE PART NUMBER SHOWN ON THIS DRAWING FOR ORDERING.
 THE CORRECT PART NUMBER IS SHOWN IN THE PARTS LIST, AND MAY BE
 SLIGHTLY DIFFERENT OR AMENDED SINCE THIS DRAWING WAS PREPARED.